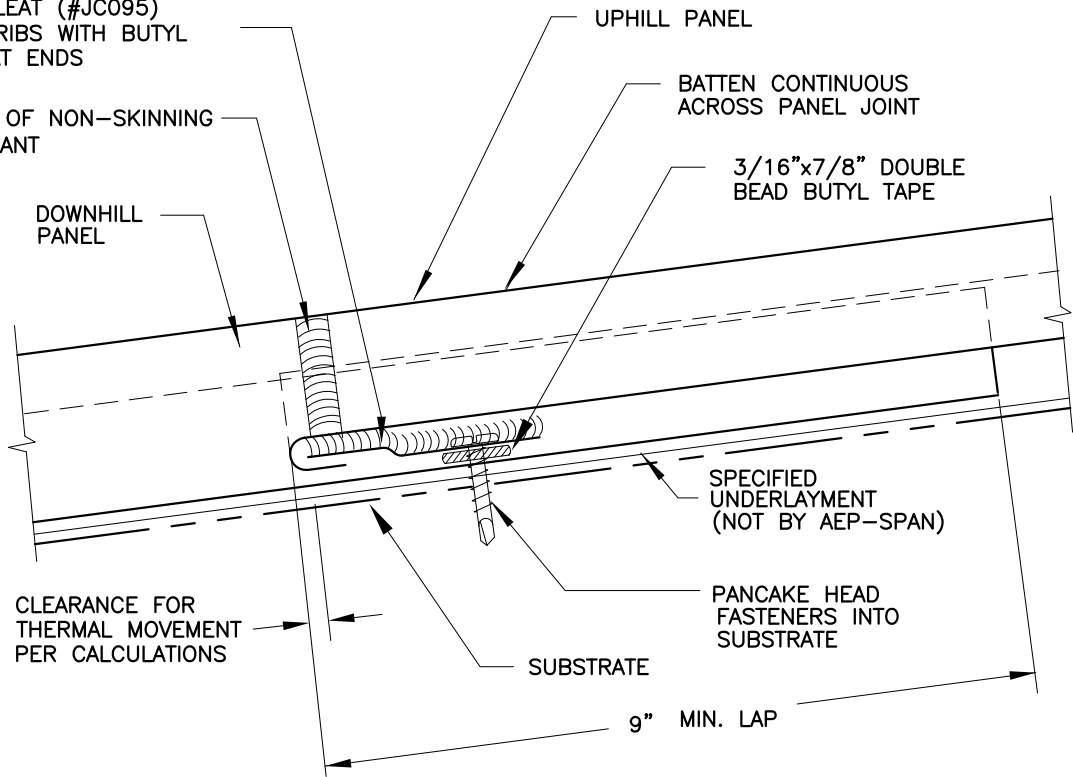


EQUALLY SPACED
 PANCAKE FASTENERS
 (3) FOR 13 1/4"
 & 17 1/4"
 (4) FOR 22 1/2"
 WIDE PANELS

JOGGLE CLEAT (#JC095)
 BETWEEN RIBS WITH BUTYL
 SEALANT AT ENDS

3/8" BEAD OF NON-SKINNING
 BUTYL SEALANT



CLEARANCE FOR
 THERMAL MOVEMENT
 PER CALCULATIONS

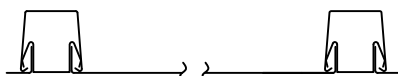
SPECIFIED
 UNDERLAYMENT
 (NOT BY AEP-SPAN)

PANCAKE HEAD
 FASTENERS INTO
 SUBSTRATE

9" MIN. LAP



SELECT SEAM
 WIDE BATTEN



PANEL LAP

SSWB-13